

Olympia

BTW CLEAR

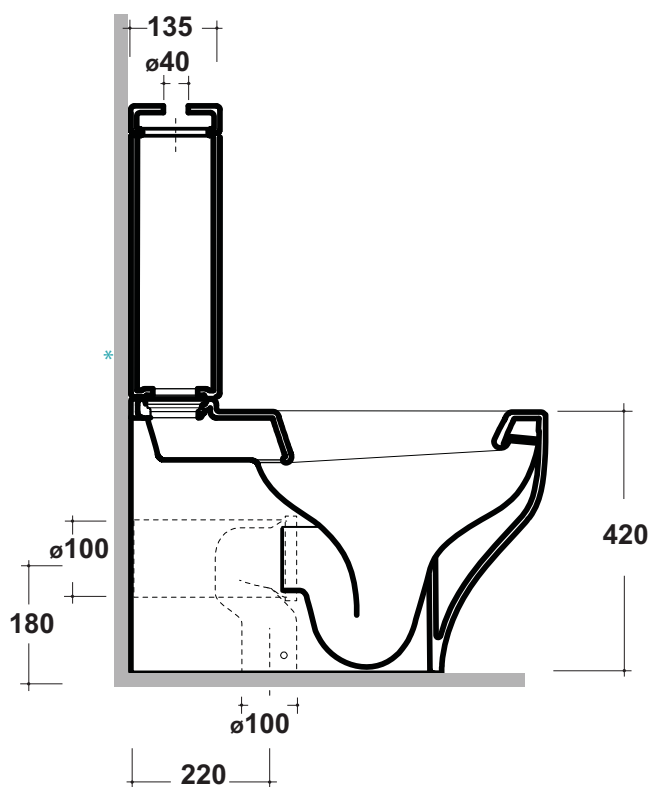
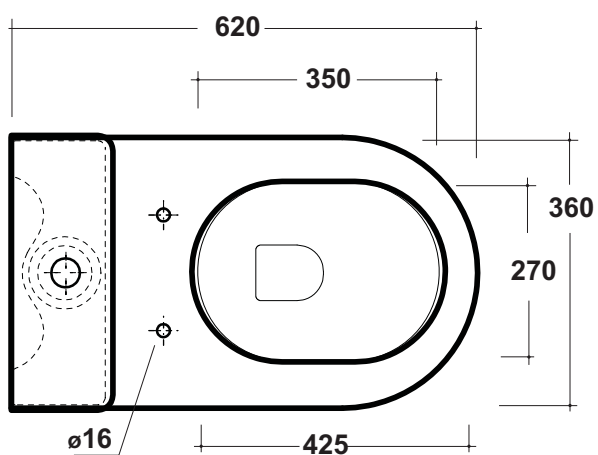
Agg.25/06/14

Art.04 CL + 12 CL

Kg. 29+13

vaso e cassetta monoblocco presa
alta posteriore

Close coupled cistern with high back inlet



*CURVE TECNICHE PIPE CONNECTORS		
Art.RASB	Art.RAR1	Art.RA305 Ø 90
220 da 200/225	220 da 170/270	305 da 200/305
220 from 200/225	220 from 170/270	305 from 200/305

*** Quota di installazione consigliata
Advised measure for installation**