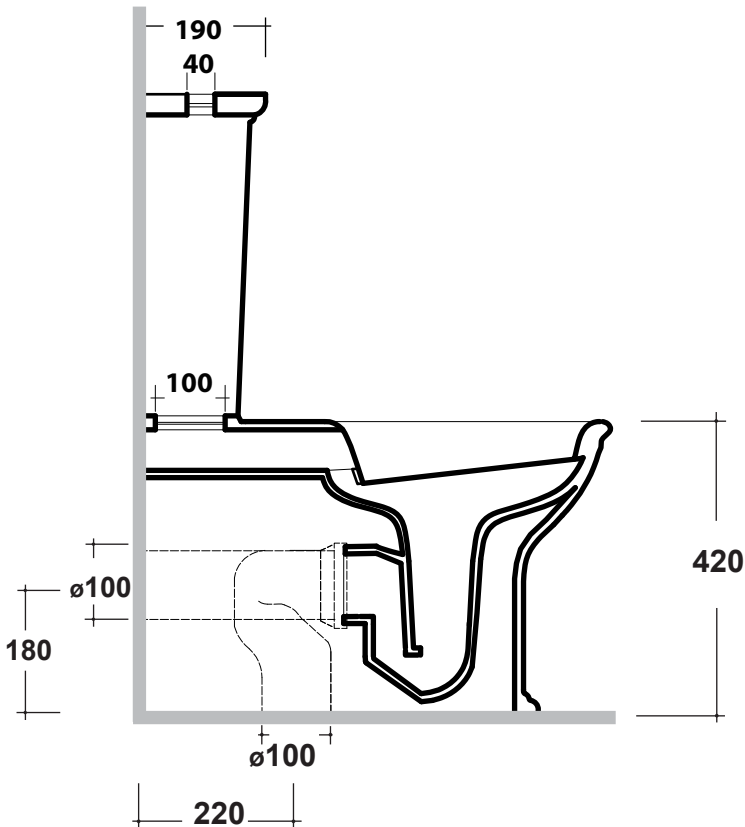
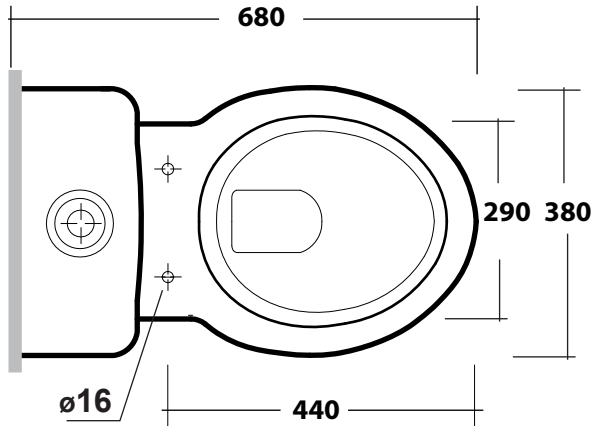
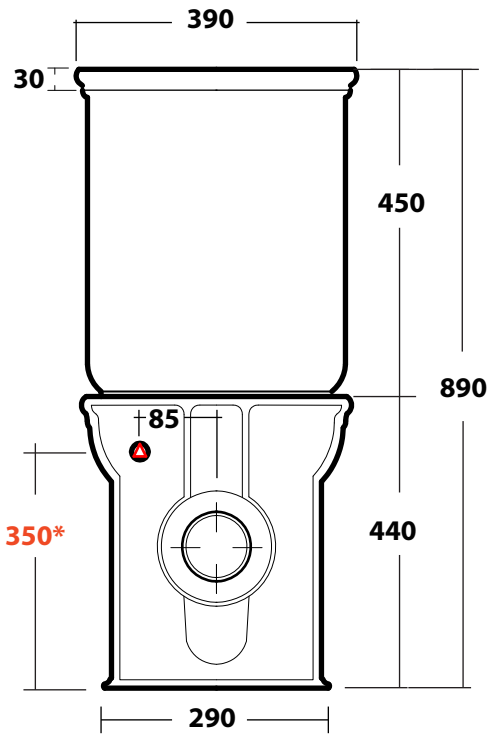


Art. MB11+ CM1111

vaso e cassetta monoblocco presa fondo  
Close coupled cistern with low back inlet



**\*CURVE TECNICHE  
PIPE CONNECTORS**

Art.RASB	Art.RAR1	Art.RA305 $\varnothing 90$
220 da 200/225	220 da 170/270	305 da 200/305
220 from 200/225	220 from 170/270	305 from 200/305

**\* Quota di installazione consigliata  
Advised measure for installation**